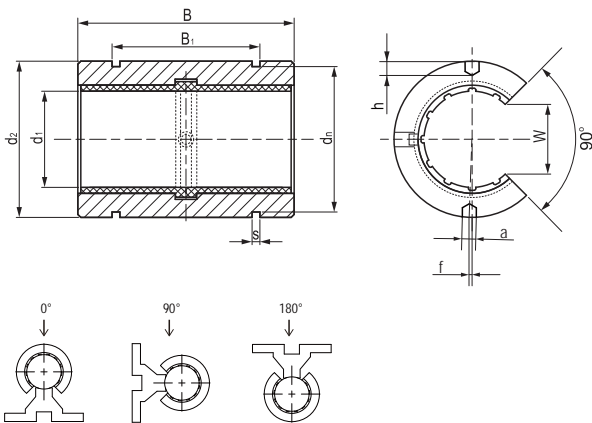


LIN-11RK 开口式直线轴承 Linear bearings, open



- 开口设计, 配合支持轴
 - 装配LIN-11K滑动膜
 - 阳极氧化铝合金适配器
 - 免维护、低噪音
 - 适用于污垢或灰尘环境
 - 使用温度-50℃/+90℃
- Open design for supported shafts
 - Assembled LIN-11K liners
 - Anodized aluminum adapter
 - Maintenance-free and low noise
 - Resistance to dirt and dust
 - Operation temperature -50℃/+90℃

标准规格 Standard specifications



产品编码 Part No.:

LIN-11RK-10

- 内径 Inner diameter
- 开口式保持器 Open, aluminum adapter
- LIN-11K标准滑动膜 Standard liners LIN-11K

座孔 Housing: H7 轴 Shaft: h6-h9

产品编码 Part No.	d ₁ [mm]	公差 Tolerance [mm]	d ₂ h7 [mm]	B h10 [mm]	B ₁ H10 [mm]	W-1 [mm]	s H10 [mm]	d ₁ h10 [mm]	a+0.1 [mm]	h [mm]	f ± 0.2 [mm]
LIN-11RK-10	10	+0.030/+0.088	19	29	21.6	7.3	1.30	17.5	/	/	/
LIN-11RK-12	12	+0.030/+0.088	22	32	22.6	9.0	1.30	20.5	3.0	1.2	1.33(7°)
LIN-11RK-16	16	+0.030/+0.088	26	36	24.6	11.6	1.30	24.2	2.2	1.2	/
LIN-11RK-20	20	+0.030/+0.091	32	45	31.2	12.0	1.60	29.6	2.2	1.2	/
LIN-11RK-25	25	+0.030/+0.091	40	58	43.7	14.5	1.85	36.5	3.0	1.5	-1.50(-4.3°)
LIN-11RK-30	30	+0.040/+0.110	47	68	51.7	16.6	1.85	43.5	3.0	2.0	2.00(4.9°)
LIN-11RK-40	40	+0.040/+0.115	62	80	60.3	21.0	2.15	57.8	3.0	2.0	1.50(2.8°)
LIN-11RK-50	50	+0.050/+0.130	75	100	77.3	25.5	2.65	70.5	3.0	2.0	2.50(3.8°)

产品编码 Part No.	轴径 Shaft [mm]	座孔 Housing [mm] H7	公差 Tolerance [mm]	F max. [N] 最大动载荷 Dynamic Load P=5MPa			F max. [N] 最大静载荷 Static Load P=35MPa			重量 Weight [g]
				0°	90°	180°	0°	90°	180°	
LIN-11RK-10	10	19	0/+0.021	725	500	196	5075	3500	1370	9
LIN-11RK-12	12	22	0/+0.021	960	635	240	6720	4445	1680	15
LIN-11RK-16	16	26	0/+0.021	1440	990	396	10080	6943	2772	21
LIN-11RK-20	20	32	0/+0.025	2250	1800	900	15750	12600	6300	37
LIN-11RK-25	25	40	0/+0.025	3625	2953	1523	25375	20670	10658	78
LIN-11RK-30	30	47	0/+0.025	5100	4250	2278	35700	29735	15948	122
LIN-11RK-40	40	62	0/+0.030	8000	6810	3800	56000	47660	26600	256
LIN-11RK-50	50	75	0/+0.030	12500	10750	6125	87500	75265	42875	442